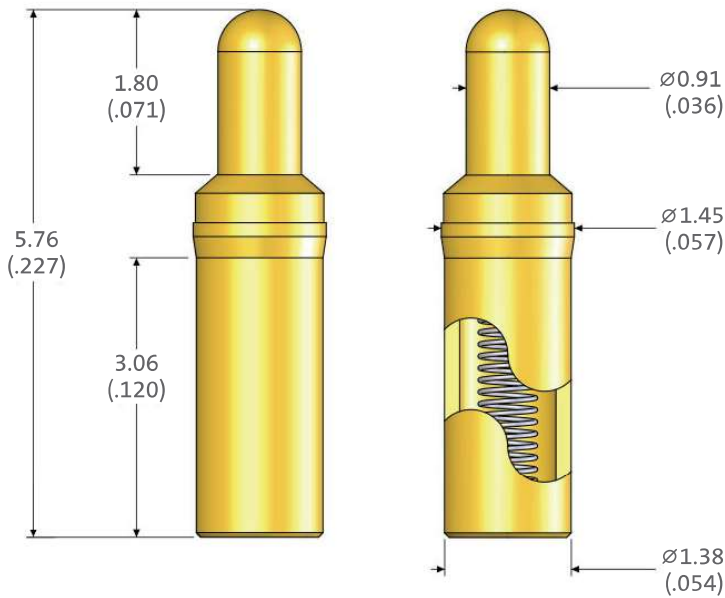


Battery Contactor Probe

TEB-1



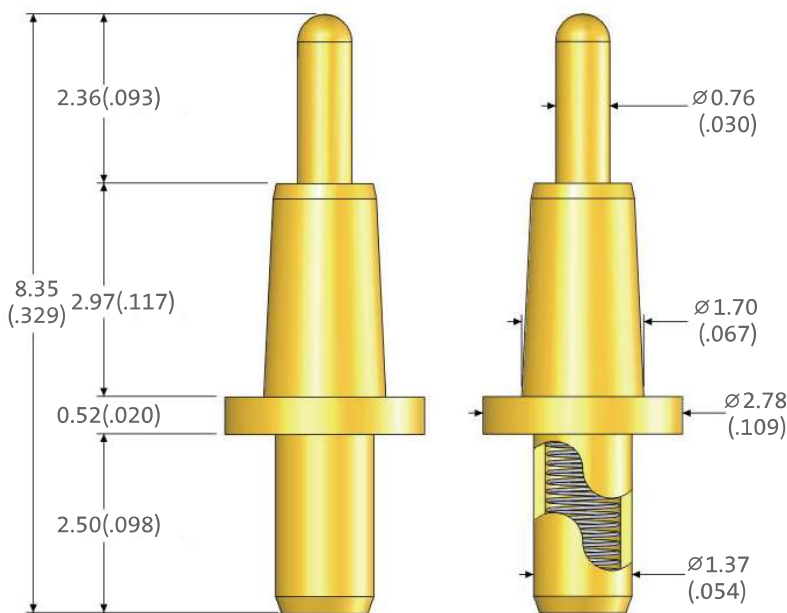
Probe Specifications

- Minimum Center: 1.90(.075)
- Current Rating: 5 amps
- Contact Resistance: <25m Ω
- Spring Force: 80g@1.2mm
- Max. stroke: 1.8mm
- Working Stroke: 1.2mm(2/3travel)

Materials

- Barrel: Brass, gold plated over Nickel
- Spring: SUS Wire.
- Plunger: Full-hard
Beryllium Copper,
gold plated over Nickel.

TEB-2



Probe Specifications

- Minimum Center: 3.18(.125)
- Current Rating: 10 amps
- Contact Resistance: <10m Ω
- Spring Force: 145g@1.5mm
- Max. Stroke: 2.30mm
- Working Stroke: 1.5mm (2/3 travel)

Materials

- Barrel: Brass, gold plated over Nickel
- Spring: SUS Wire.
- Plunger: Full-hard
Beryllium Copper or Carbon Steel,
gold plated over Nickel.