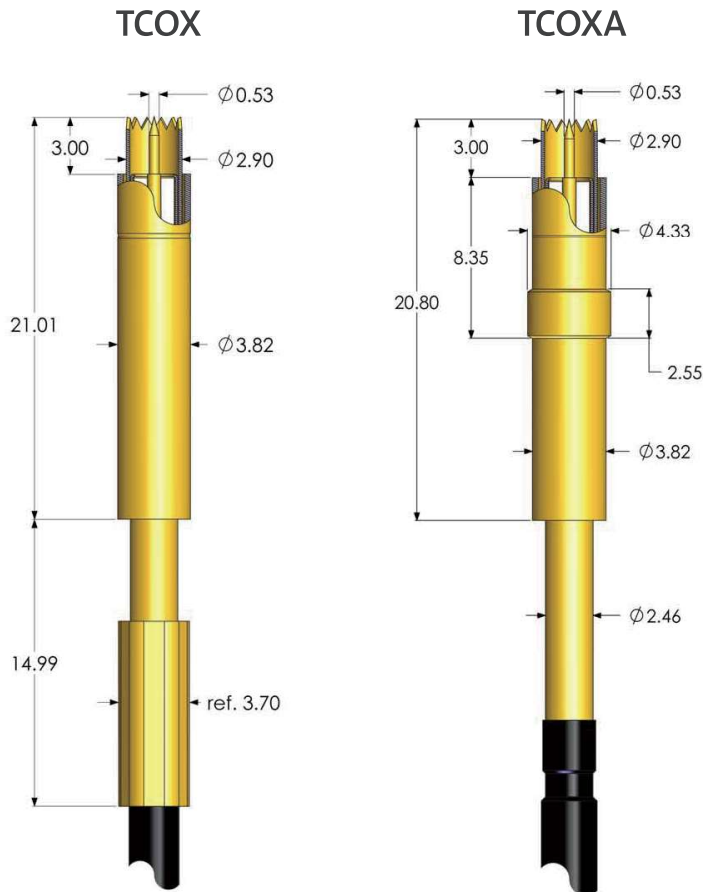
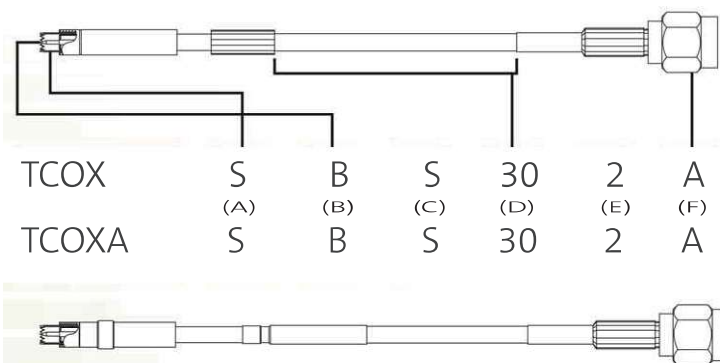


# RF Test Probe



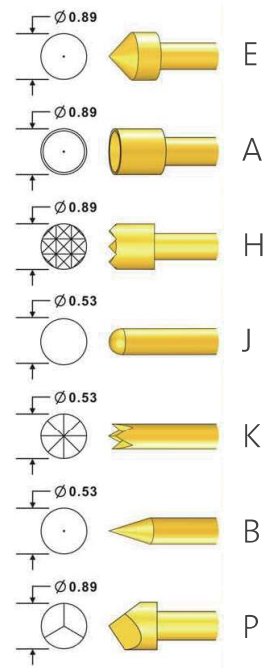
## Ordering Example



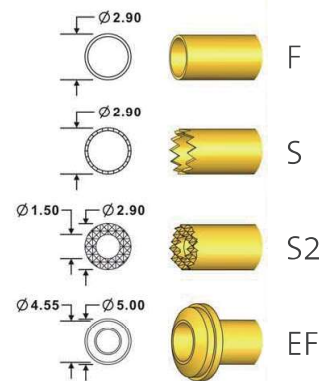
|       |     |     |     |     |     |     |
|-------|-----|-----|-----|-----|-----|-----|
| TCOX  | S   | B   | S   | 30  | 2   | A   |
| TCOXA | (A) | (B) | (C) | (D) | (E) | (F) |
|       | S   | B   | S   | 30  | 2   | A   |

A Shielding Plunger  
 B Signal Plunger Shape  
 C Standard Spring Force  
 D Cable Length(cm)  
 E 1.=>RG316 F A=>SMA Male  
 2.=>RG174 B=>SMA Female

## Signal Plungers



## Shielding Plunger



## Probe Specifications

- Min. Pitch: 5.0mm
- Current Rating: 3 amps
- Spring Force: S=>60g
- Impedance: 50Ω
- Max. stroke: 1.90mm=>tips E, A, H, P  
2.30mm=>tips J, K, B

## Materials

- Dielectric Insulator: Teflon
- Signal Plunger: BeCu.Gold over Nickel.
- Coaxial Cable: RG-316, RG-174