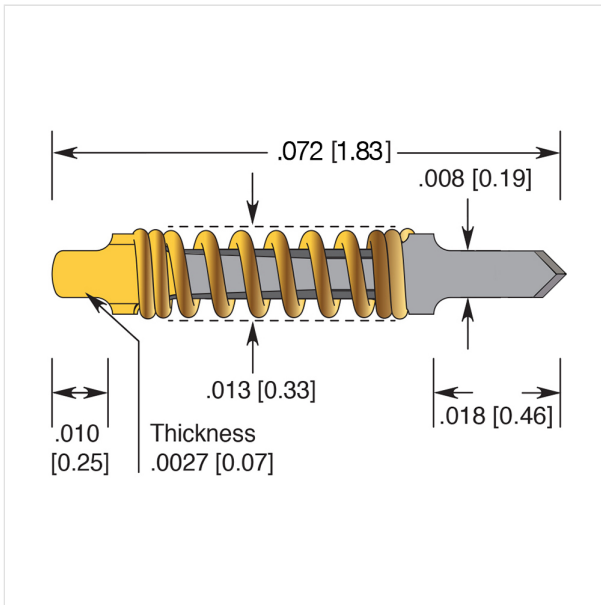


Z0-040

Product Family: Z0



Springs

Force Type - Preload in oz (g) - Rec. Travel in oz (g) -

Spring Material

Standard - 0.00 (0.00) - 0.66 (19.00) -

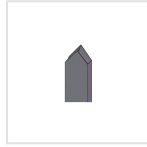
High - 0.00 (0.00) - 0.96 (27.00) -

TIPS:

Tip DUT Side Materials: HyperCore

Tips DUT Side:

Z0-040L-HyperCore Z-040Y-Hypercore Z-040R-Hypercore Z-040D-Hypercore Z-040B-Hypercore



Tip HIB Side Materials: BeCu

Tips HIB Side:

Z-HIB-J-BeCu

