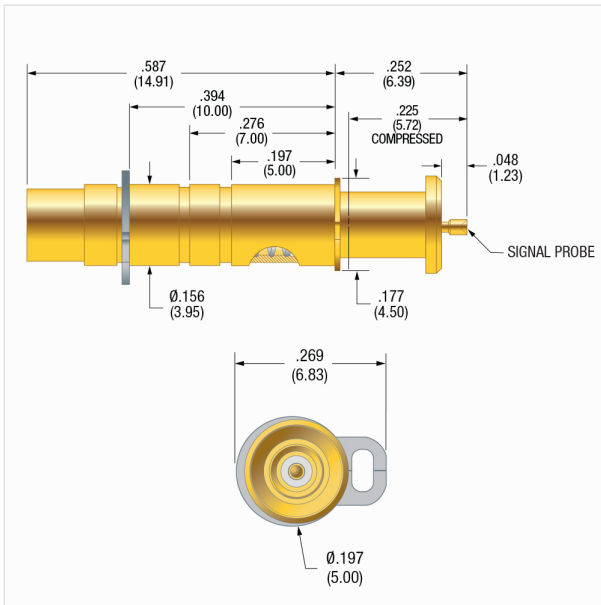


CSP-40A-024

Product Family: CSP



Springs

Force Type - Preload in oz (g) - Rec. Travel in oz (g) -

Spring Material

Standard - 0.79 (23.40) - 1.75 (49.60) -

Additional information:

Replaceable Probe Remark: Signal Probe, HPA-40A.

Related Products:

HPA-40

