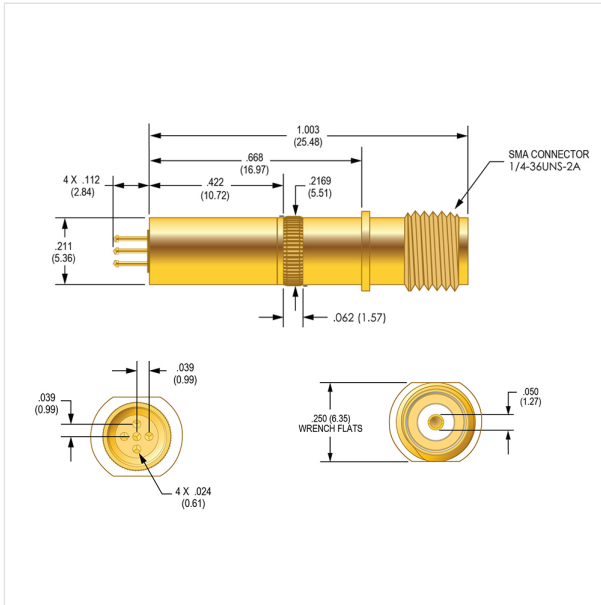


CSP-30TS-011

Product Family: CSP



Springs

Force Type - Preload in oz (g) - Rec. Travel in oz (g) -

Spring Material

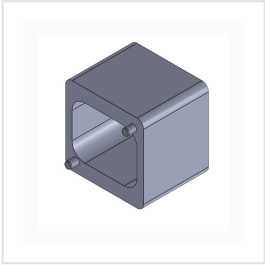
Standard - 1.59 (40.40) - 7.00 (198.50) -

Additional information:

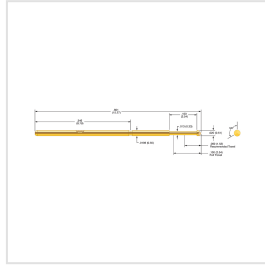
Use guide tool **CIT-30-0** to press CSP-30TS-011 into the mounting hole, [as shown in the Mounting Instructions \(Resource Center\)](#) **CIT-30-0** guide tool ships with each CSP-30TS-011 probe

Related Products:

CIT-30-0



SPL-30T-020



SPL-30T-021

