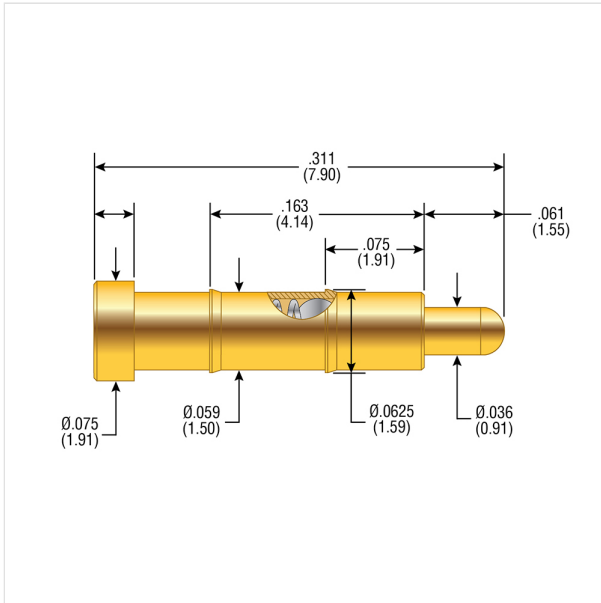


CP-4x

Product Family: CP-4x



Springs

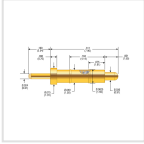
Force Type - Preload in oz (g) - Rec. Travel in oz (g) -

Spring Material

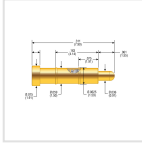
Standard - 0.49 (13.89) - 2.50 (70.87) -

Tails:

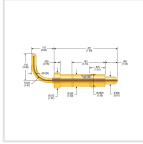
CP-4T



CP-4S



CP-4L



CP-4C

