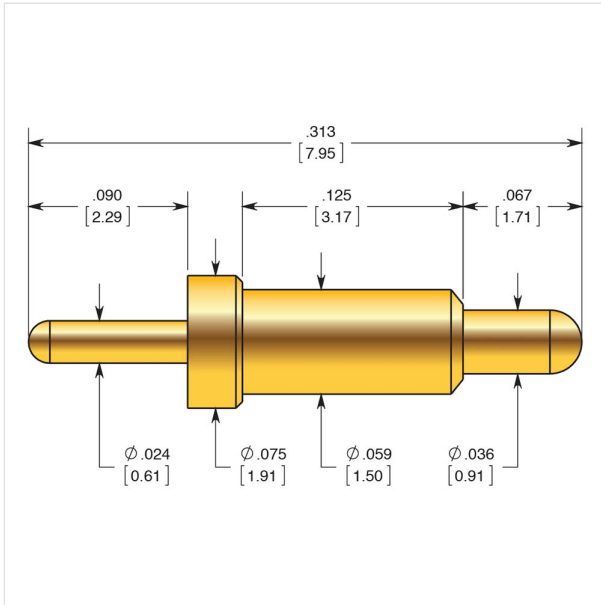


## CP-059-025

Product Family: CP-059



### Springs

Force Type - Preload in oz (g) - Rec. Travel in oz (g) -

Spring Material

Standard - 0.81 (23.00) - 4.50 (128.00) -

