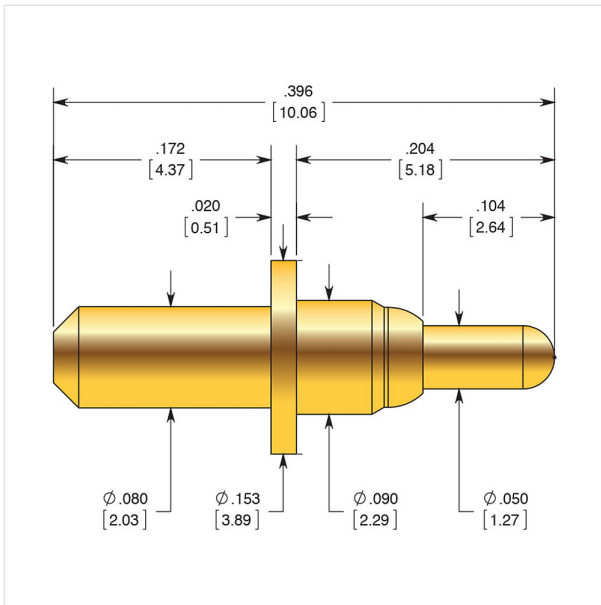


BIP-8

Product Family: BIP



Springs

Force Type - Preload in oz (g) - Rec. Travel in oz (g) -

Spring Material

Standard - 2.40 (68.00) - 6.20 (176.00) -

Related Products:

SIP-90-2

