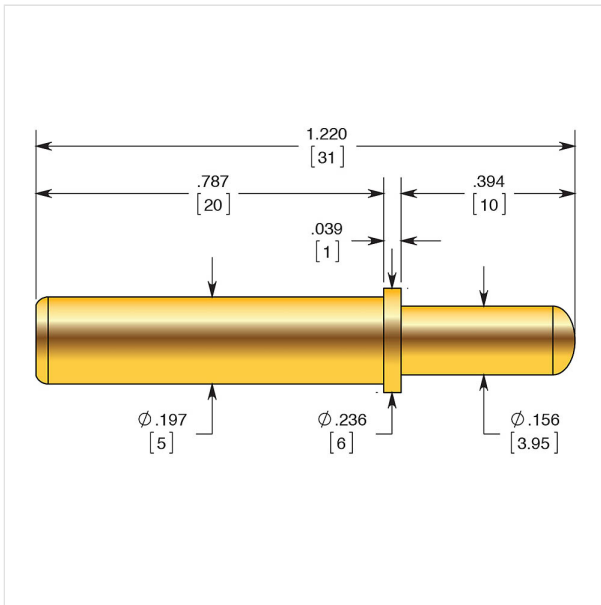


BIP-12

Product Family: BIP



Springs

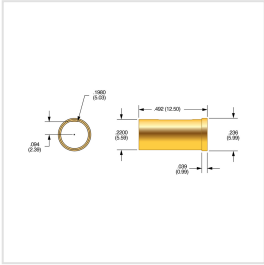
Force Type - Preload in oz (g) - Rec. Travel in oz (g) -

Spring Material

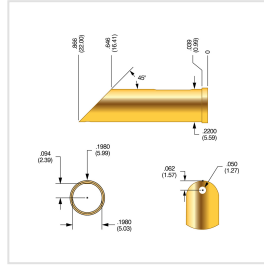
Standard - 0.87 (24.70) - 5.40 (153.00) -

Related Products:

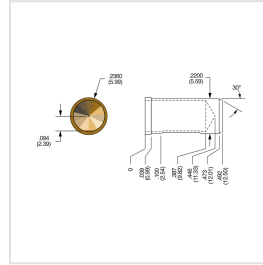
BIR-9W



BIR-9W-1



BIR-9Y



GPP-95-2

